



SPEED QUEEN® MULTI-HOUSING LAUNDRY SOLUTIONS

# Stack Tumble Dryer

STT30

30 lb (14 kg)

## Built for Reliable Performance

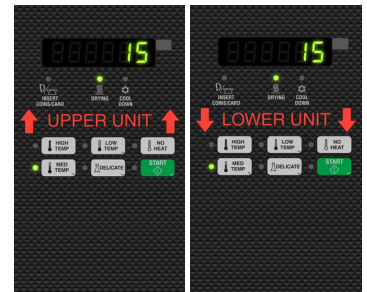
Our line of stack tumble dryers provides double the capacity of Speed Queen® single pocket tumble dryers while using only half the floor space.

- Large easy-to-clean lint compartment
- Fewer moving parts mean fewer maintenance problems and less wear
- High performance heater box increases energy efficiency, reduces drying times and provides a more comfortable operating environment

- Axial airflow pattern with the sealed cylinder rims delivers the fastest and most efficient drying results
- Two drying pockets in the space of one unit helps increase drying capacity
- Single gas, electric and exhaust hookups simplify installation and are less expensive than installing twice the number of single units

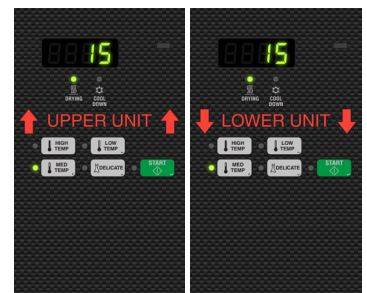
### Quantum® Gold Control

Cutting edge Quantum® control system from Speed Queen® gives you the freedom to manage laundry your way and the power to achieve unmatched levels of revenue. This revolutionary technology provides users with more cycle choices than ever, offers unprecedented options to help lower operating costs and incorporates tools and options to increase revenue.



### Micro Display Control II

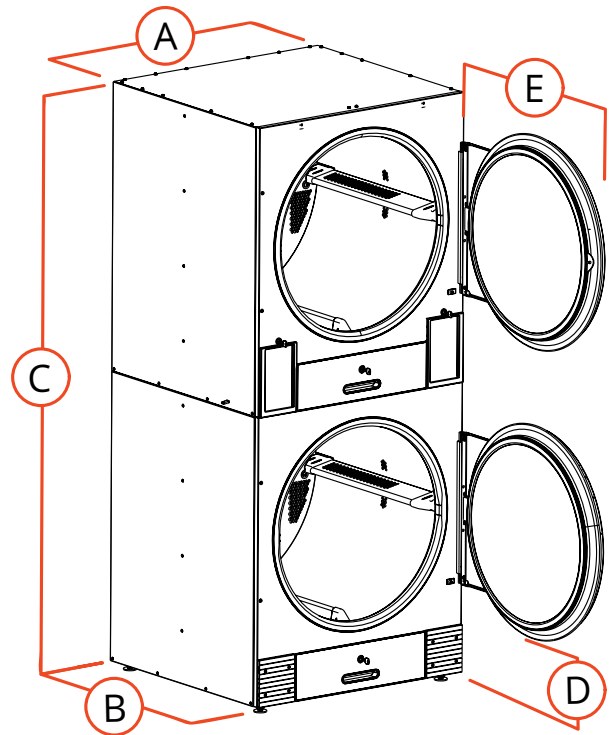
The Micro Display Control II (MDCII) clearly displays the vend price and keeps customers informed throughout the drying process with cycle status lights and a digital cycle countdown. Interfacing with a variety of aftermarket card reader systems, MDC II offers four cycle selections and basic audit features.



# Stack Tumble Dryer

## Specifications

		<b>STT30</b>	
Control Option		Quantum Gold Micro Display II	
Capacity - lb (kg)		30 (13) x 2	
Overall Width - in (mm)		31.5 (800)	
Overall Depth - in (mm)		42.8 (1090)	
Overall Height - in (mm)		76.3 (1940)	
Cylinder Diameter - in (mm)		30.0 (762)	
Cylinder Depth - in (mm)		26.0 (660)	
Cylinder Volume - cu. ft (liters)		10.6 (300)	
Reversing Cylinder		Standard	
Door Opening Size - in (mm)		22.6 (574)	
Heat Input Power		73,000 x 2 Btu/hr	
Gas Connections* - in (npt)		0.5	
Air Outlet - in (mm)		1 x 8 (200) Oval	
Motor - HP		Fan	0.5
		Cylinder	0.3
Airflow - cfm		2 x 400	
Electrical Specs - amps	B	100-120V/50/60/1	16
	X	200-240V/50/60/1/3	9
Shipping Dimensions		Width	32.5 (826)
Approx. - in (mm)		Depth	47.0 (1194)
		Height	79.9 (2029)
Net Weight - lb (kg)		570 (260)	
Shipping Weight - lb (kg)		600 (270)	
Agency Approvals		CSA	



A.	Overall Width - in (mm)	31.5 (800)
B.	Overall Depth - in (mm)	42.8 (1090)
C.	Overall Height - in (mm)	76.3 (1940)
D.	Door Bottom to Floor - in (mm)	10.7 (272)
E.	Door Swing - in (mm)	28 (711)

\* LP gas available for 50, 75 lb capacities only. Field conversion kits available for other capacities.

Tumble dryer models are made to suit a variety of electrical service characteristics. See your Speed Queen route operator for specifications. For further details on installation, refer to Installation, Operation and Maintenance instructions supplied with the tumble dryer. Amperage ratings available in Installation Manual. For the most accurate information, the installation guide should be used for all design and construction purposes. Due to continuous product improvements, design and specifications subject to change without notice. The quality management systems at Alliance Laundry Systems are registered to ISO 9001.



SPEED QUEEN® MULTI-HOUSING LAUNDRY SOLUTIONS

# Stack Tumble Dryer

STT45

45 lb (20 kg)

## Built for Reliable Performance

Our line of stack tumble dryers provides double the capacity of Speed Queen® single pocket tumble dryers while using only half the floor space.

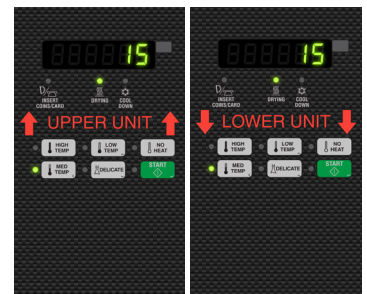
- Large easy-to-clean lint compartment
- Fewer moving parts mean fewer maintenance problems and less wear
- High performance heater box increases energy efficiency, reduces drying times and provides a more comfortable operating environment



- Axial airflow pattern with the sealed cylinder rims delivers the fastest and most efficient drying results
- Two drying pockets in the space of one unit helps increase drying capacity
- Single gas, electric and exhaust hookups simplify installation and are less expensive than installing twice the number of single units

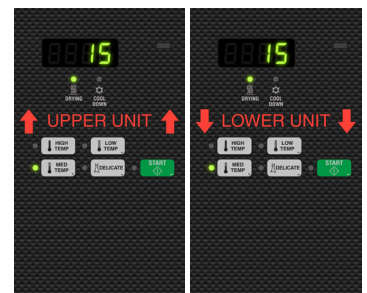
### Quantum® Gold Control

Cutting edge Quantum® control system from Speed Queen® gives you the freedom to manage laundry your way and the power to achieve unmatched levels of revenue. This revolutionary technology provides users with more cycle choices than ever, offers unprecedented options to help lower operating costs and incorporates tools and options to increase revenue.



### Micro Display Control II

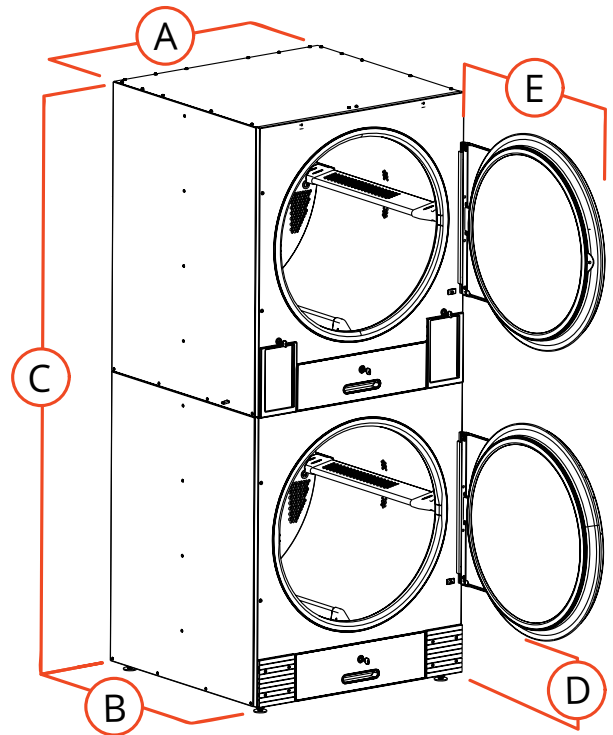
The Micro Display Control II (MDCII) clearly displays the vend price and keeps customers informed throughout the drying process with cycle status lights and a digital cycle countdown. Interfacing with a variety of aftermarket card reader systems, MDC II offers four cycle selections and basic audit features.



# Stack Tumble Dryer

## Specifications

		<b>STT45</b>	
Control Option		Quantum Gold Micro Display II	
Capacity - lb (kg)		45 (20) x 2	
Overall Width - in (mm)		34.5 (875)	
Overall Depth - in (mm)		48.6 (1235)	
Overall Height - in (mm)		81.3 (2065)	
Cylinder Diameter - in (mm)		33.0 (838)	
Cylinder Depth - in (mm)		30.0 (762)	
Cylinder Volume - cu. ft (liters)		14.8 (420)	
Reversing Cylinder		Standard	
Door Opening Size - in (mm)		26.9 (683)	
Heat Input Power		95,000 x 2 Btu/hr	
Gas Connections* - in (npt)		0.5	
Air Outlet - in (mm)		1 x 10 (250) Oval	
Motor - HP		Fan	0.5
		Cylinder	0.5
Airflow - cfm		2 x 600	
Electrical Specs - amps	X	200-240V/50/60/1/3	12
Shipping Dimensions Approx.- in (mm)		Width	35.5 (902)
		Depth	54.0 (1372)
		Height	84.9 (2156)
Net Weight - lb (kg)		710 (320)	
Shipping Weight - lb (kg)		750 (340)	
Agency Approvals		CSA	



A.	Overall Width - in (mm)	34.5 (875)
B.	Overall Depth - in (mm)	48.6 (1235)
C.	Overall Height - in (mm)	81.3 (2065)
D.	Door Bottom to Floor - in (mm)	9.3 (236)
E.	Door Swing - in (mm)	31.9 (810)

\* LP gas available for 50, 75 lb capacities only. Field conversion kits available for other capacities.

Tumble dryer models are made to suit a variety of electrical service characteristics. See your Speed Queen route operator for specifications. For further details on installation, refer to Installation, Operation and Maintenance instructions supplied with the tumble dryer. Amperage ratings available in Installation Manual. For the most accurate information, the installation guide should be used for all design and construction purposes. Due to continuous product improvements, design and specifications subject to change without notice. The quality management systems at Alliance Laundry Systems are registered to ISO 9001.